

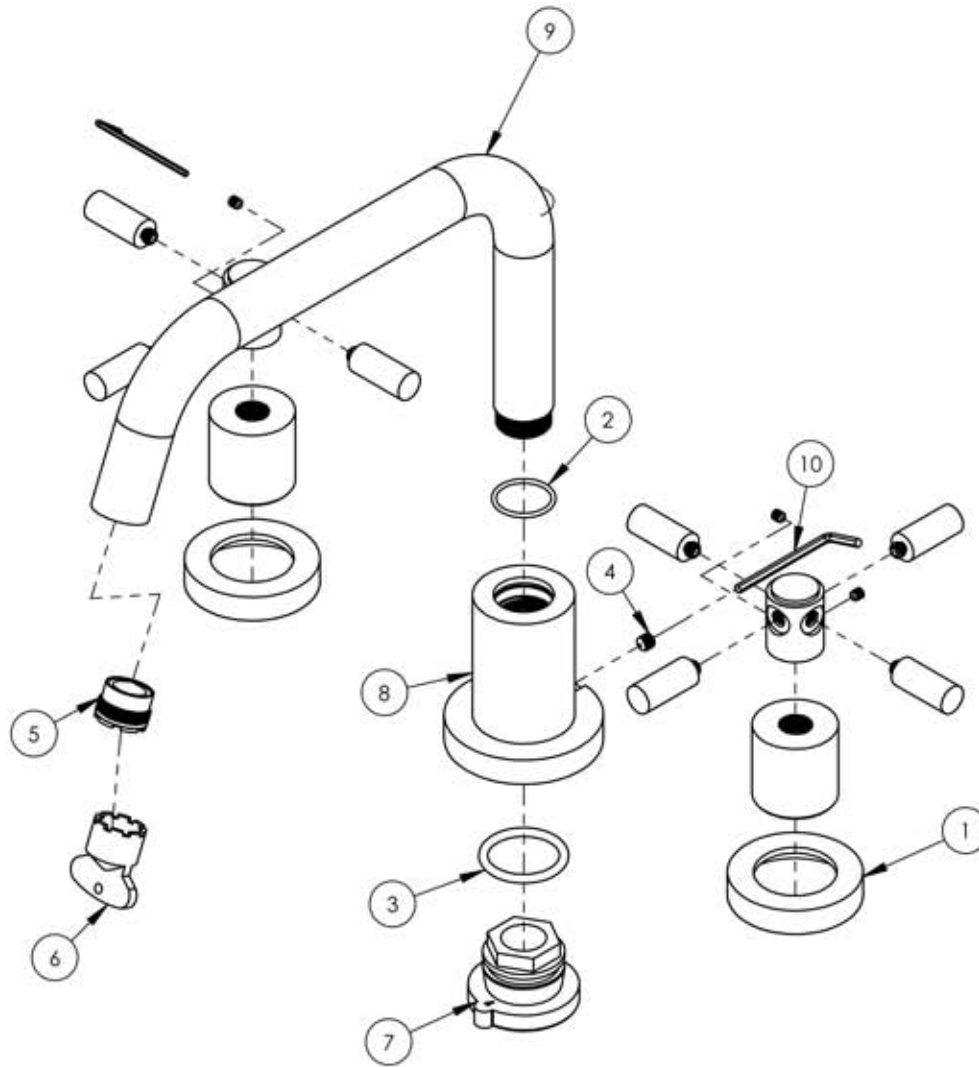
A

B

C

D

E



ITEM NO.	PART NUMBER	DESCRIPTION	QTY.
1	3-186/00	TUBULAR CROSS HANDLE FOR DECK TUB, BASIC SERIES	2
	11108/00	ESCUTCHEON LARGE ID FOR RT/PB, BASIC SERIES	1
	11107/00	HUB LARGE FOR RT, BASIC SERIES	1
	P01077/00	STEM, CROSS HANDLE	1
	92008	SET SCREW, CUP POINT 8-32UNC 3/16"L	2
	P01075/00	LOBE, HANDLE CROSS BASIC	4
	P39001	HEX KEY 5/64, FOR 8-32 SET SCREW	1
2	90020	O-RING, 7/8"ID X 1"OD X 1/16"THK, AS-568-020	1
3	90216	O-RING, 1-1/8"ID X 1-3/8"OD X 1/8"THK., AS-568-216	1
4	92191	M6X1.0 -6MM L	1
5	P05024	AERATOR CACHE JUNIOR FULL FLOW BLUE	1
6	P05025	AERATOR, BASIC KEY, PLASTIC RED	1
7	P27018	DECK SPOUT ADAPTER, W/ 3/4 NPT	1
8	P27031	BASE, SPOUT, DECK, BASIC SERIES, FOR DECK TUB FAUCET	1
9	P27033/00	LOW SPOUT, ROMAN TUB, BASIC SERIES	1
10	P39005	3MM HEX KEY	1

C3	A	LARGE HUB	11-26-13	
ZONE	REV.	DESCRIPTION	DATE	APPROVED
		REVISIONS		

1261 LOGAN AVENUE COSTA MESA, CALIFORNIA 92626 PHONE: 714.361.4800 FAX: 714.617.3120	PHYL RICH [®] Defining Luxury Since 1959	PROPRIETARY AND CONFIDENTIAL THE INFORMATION CONTAINED IN THIS DRAWING IS THE SOLE PROPERTY OF RSS MANUFACTURING. ANY REPRODUCTION IN PART OR AS A WHOLE WITHOUT THE WRITTEN PERMISSION OF RSS MANUFACTURING IS PROHIBITED.
---	---	---

-	-	INTERPRET GEOMETRIC DIMENSIONING & TOLERANCING IN ACCORDANCE WITH ASME Y14.5-2009 & ASME Y14.41-2003 STANDARDS, UNLESS OTHERWISE SPECIFIED. DIMENSIONS ARE IN INCHES. TOLERANCES ARE:		
NEXT ASSY	USED ON	FRACTIONS ±1/64"	DECIMALS X.X: ±.1 X.XX: ±.01 X.XXX: ±.005	ANGULAR ±.5°
APPLICATION		MATERIAL	NAME	DATE
FINISH		DRAWN	CA	10/6/2013
DO NOT SCALE DRAWING		CHECKED		

ROMAN TUB, BASIC SERIES, TUBULAR
CROSS HANDLE, FLAT SPOUT

SIZE	ASM/PRT NO.	REV
A	D1136D/00	A
SCALE: 1:3	WEIGHT: lbs.	SHEET 1 OF 2

5

4

3

2

1